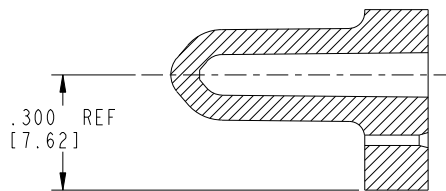
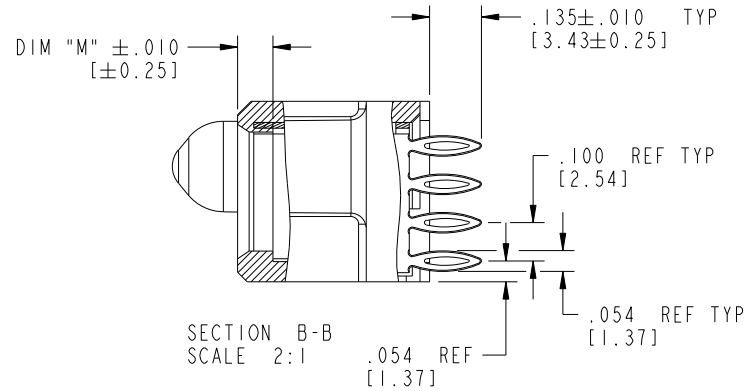
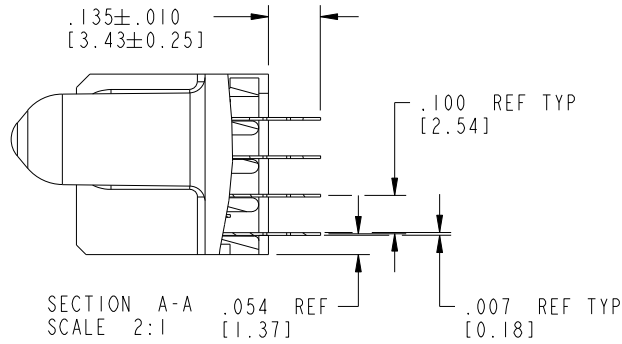


Tous droits strictement réservés. Reproduction ou communication a des tiers interdite sous quelque forme que ce soit sans autorisation écrite du propriétaire. Propriete de c FCI. Droits de reproduction FCI.

All rights strictly reserved. Reproduction or issue to third parties in any form whatever is not permitted without written authority from the proprietor. Property of FCI. Copyright FCI.



PRODUCT NUMBER
51750-043__
NOTE: 3



mat'l code				SEE NOTE 2		tolerances unless otherwise specified		CUSTOMER		FCI	
lfr	ecn no.	dr	date	linear	.XX±.01/0.X±0.3	projection		COPY		www.fciconnect.com	
D				angles	.XX±.005/0.XX±0.13	INCH/MM		title		5P + 48S + 3P	
				dr	.XXX±.0020/0.XXX±0.051	scale		product family		PwrBlade	
				engr	0°±2°	1:1		size		213	
				chr				dwg no		sheet	
				appd				A		2 of 4	
sheet index		revision sheet						A		51750-043	
										code	
										213	

Pro/E

PDM: Rev: D

STATUS: Released

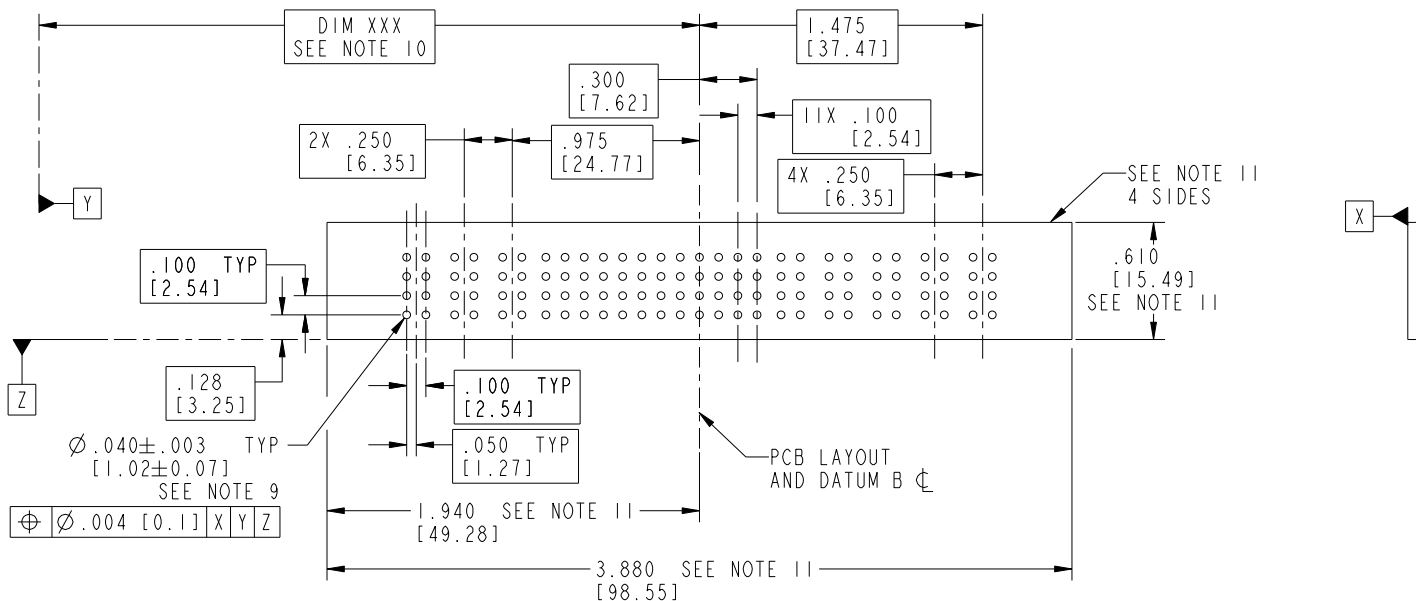
Printed: Sep 20, 2008

Tous droits strictement réservés. Reproduction ou communication a des tiers interdite sous quelque forme que ce soit sans autorisation écrite du propriétaire. Propriété de c FCI. Droits de reproduction FCI.



All rights strictly reserved. Reproduction or issue to third parties in any form whatever is not permitted without written authority from the proprietor. Property of FCI. Copyright FCI.

PRODUCT NUMBER
51750-043__
NOTE: 3



RECOMMENDED PCB LAYOUT

mat'l code		SEE NOTE 2		tolerances unless otherwise specified		CUSTOMER		FCI	
lfr	ecn no.	dr	date	linear	.XX±.01/0.X±0.3	COPY		www.fciconnect.com	
D				angles	.XXX±.005/0.XX±0.13	projection		title 5P + 48S + 3P	
					.XXX±.002/0.XXX±0.051	INCH/MM		VERTICAL PRESSFIT RECEPT	
				dr	0°±2°	scale		product family PwrBlade code	
				enrg	T. BRUNGARD 02/04/03	1:1		size dwg no 213	
				chr	M. MOSTOLLER 02/04/03			sheet	
				appd	M. MOSTOLLER 02/04/03			3 of 4	
sheet index	revision sheet							A 51750-043	

cage code 22526

Pro/E

PDM: Rev: D

STATUS: Released

Printed: Sep 20, 2008

Tous droits strictement réservés. Reproduction ou communication a des tiers interdite sous quelque forme que ce soit sans autorisation écrite du propriétaire. Propriété de c FCI. Droits de reproduction FCI.



All rights strictly reserved. Reproduction or issue to third parties in any form whatever is not permitted without written authority from the proprietor. Property of FCI. Copyright FCI.

1 | 2

3 |

4

PRODUCT NUMBER
51750-043__
NOTE: 3

NOTES:

1. DIMENSIONS AND TOLERANCES ARE IN ACCORDANCE WITH ASME Y14.5M, 1994 UNLESS OTHERWISE SPECIFIED.

CONNECTOR NOTES:

- 2 HOUSING MATERIAL: UL 94 V-0 GLASS FILLED HIGH-TEMP THERMOPLASTIC
POWER CONTACT MATERIAL: COPPER ALLOY
SIGNAL PIN MATERIAL: COPPER ALLOY
 - 3. SEE ITEM 7 & 8 IN PRINT 10064183 FOR PLATING SPEC OF 51750-043 AND 51750-043LF RESPECTIVELY.
 - 4 MANUFACTURER'S NAME, P/N, AND DATE CODE TO APPEAR ON THIS SURFACE.
 - 5. PRODUCT SPECIFICATION GS-12-149.
APPLICATION SPECIFICATION BUS-20-067.
 - 6. PACKAGED IN TRAYS.
- PCB NOTES:
- 7. ALL HOLE DIAMETERS ARE FINISHED HOLE SIZE.
 - 8 MOUNTING HOLES, WHERE APPLICABLE, ARE UNPLATED.
 - 9 $\varnothing .0453 \pm .0010$ [1.151 \pm 0.025] DRILLED HOLES PLATED WITH
.0003 [0.008] MIN SnPb OVER .001 [0.03]
TO .003 [0.08] Cu PLATING TO ACHIEVE
 $\varnothing .040 \pm .003$ [1.02 \pm .07] HOLE.
 - 10 "DIM XXX" TO BE DETERMINED BY THE CUSTOMER.
 - 11 CONNECTOR KEEP-OUT ZONE.
 - 12. A Δ SYMBOL WILL BE NEXT TO ANY DIMENSION, VIEW, OR NOTE WHICH HAS BEEN MODIFIED WITH THE CURRENT DRAWING REVISION.

mat'l code		SEE NOTE 2		tolerances unless otherwise specified		CUSTOMER		FCI	
ltr	ecn no.	dr	date	linear	.XX \pm .01 / 0.X \pm 0.3	COPY		www.fciconnect.com	
D				projection	.XXX \pm .005 / 0.XX \pm 0.13			title 5P + 48S + 3P VERTICAL PRESSFIT RECEPT	
				angles	.XXX \pm .0020 / 0.XXX \pm 0.051			product family PwrBlade code 213	
				dr	T. BRUNGARD 02/04/03	INCH/MM		size dwg no 51750-043 sheet 4 of 4	
				engr	M. MOSTOLLER 02/04/03	scale 1:1			
				chr	M. MOSTOLLER 02/04/03				
				appd	M. MOSTOLLER 02/04/03				
sheet index	revision sheet								

1 | 2

Pro/E

PDM: Rev:D

STATUS: Released

Printed: Sep 20, 2008

A

A

B

B